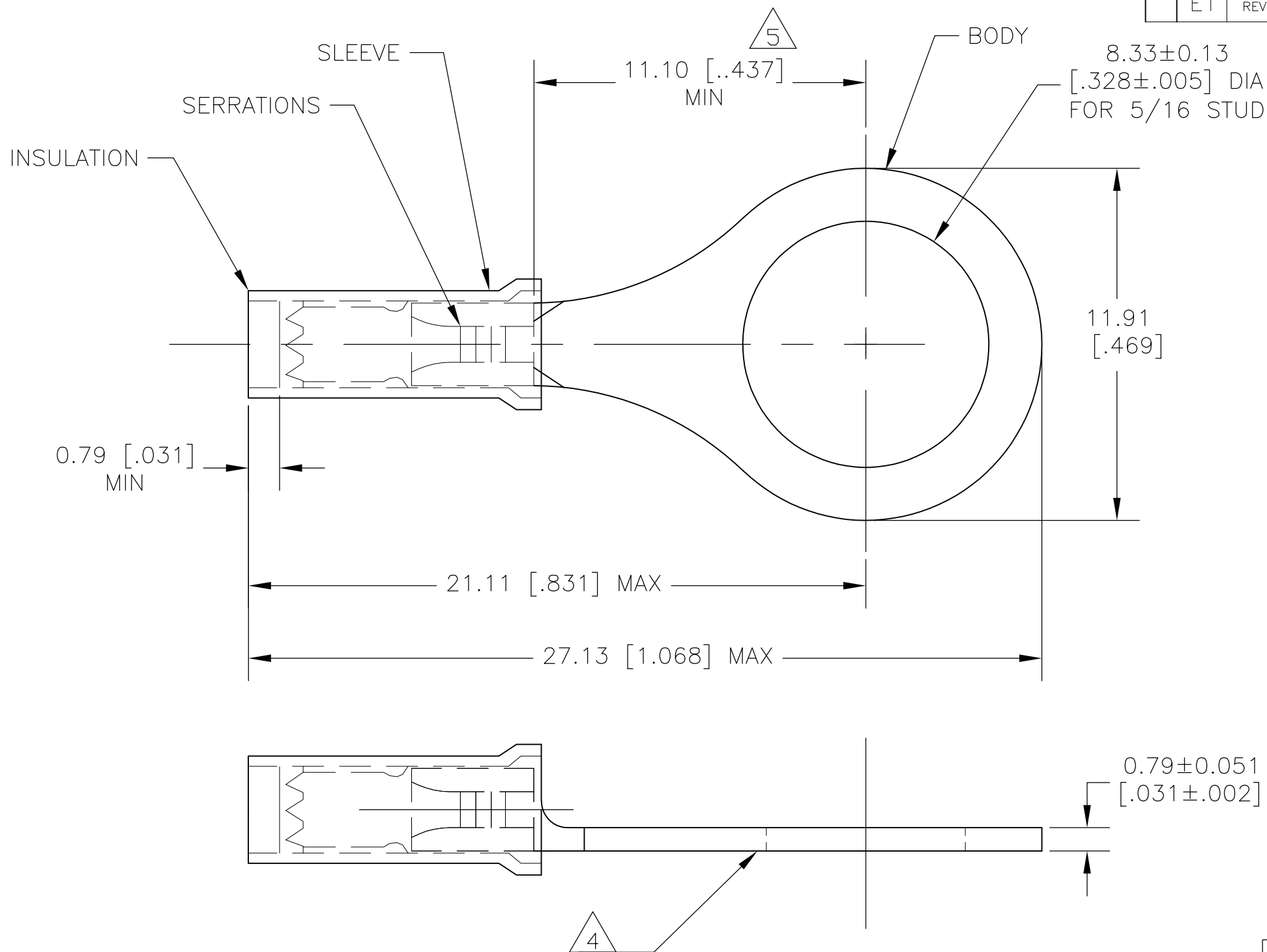


THIS DRAWING IS UNPUBLISHED. RELEASED FOR PUBLICATION
© COPYRIGHT BY TYCO ELECTRONICS CORPORATION. ALL RIGHTS RESERVED.

| | | | | | | | |
|-----|------|-----------|-----|---------------------------|---------|-----|------|
| LOC | DIST | REVISIONS | | | | | |
| G | 86 | P | LTR | DESCRIPTION | DATE | DWN | APVD |
| | | E1 | | REVISED PER ECR 07-018343 | 06AUG07 | JR | TM |



- 1 BODY - COPPER PER ASTM B152 ANNEALED
SLEEVE - COPPER PER ASTM B152
INSULATION - NYLON
- 2 BODY & SLEEVE - TIN PLATED
INSULATION - COLOR - PURPLE
- 3 FOR 1.14-2.03 [.045-.080] DIA WIRE INSULATION
- 4 STAMP AMP 20, APPROX WHERE SHOWN.
- 5 APPLIES FROM EDGE OF METAL WIRE BARREL TO CENTERLINE OF STUD HOLE.
- 6 0.41-0.65mm² [810-1,290] CMA SOLID OR STRANDED

| | | |
|------|----------------|----------|
| 1000 | LOOSE PIECE | 152889 |
| QTY | PACKAGING TYPE | PART NO. |

| | | | | | | | | |
|----------------------------------------|--|------------------|---------------|------------------|-----------------------------------------------------------|-----------|------------|---------------|
| THIS DRAWING IS A CONTROLLED DOCUMENT. | | DWN | jr_ruth | 06AUG07 | Tyco Electronics Corporation Harrisburg, PA 17105-3608 | | | |
| DIMENSIONS: MM [INCHES] | | CHK | T MICHIELUTTI | 30AUG07 | NAME RING TONGUE, PIDG | | | |
| TOLERANCES UNLESS OTHERWISE SPECIFIED: | | APVD | T MICHIELUTTI | 30AUG07 | PRODUCT SPEC - | | | |
| 0 PLC ± - | | APPLICATION SPEC | | SIZE | | CAGE CODE | DRAWING NO | RESTRICTED TO |
| 1 PLC ± - | | - | | A3 | | 00779 | G-152889 | - |
| 2 PLC ± - | | - | | CUSTOMER DRAWING | | SCALE | SHEET | REV |
| 3 PLC ± 0.38 [.015] | | - | | | | 6:1 | 1 OF 1 | E1 |
| 4 PLC ± - | | - | | | | | | |
| ANGLES ± 5° | | - | | | | | | |
| MATERIAL - 1 | | FINISH - 2 | | | | | | |